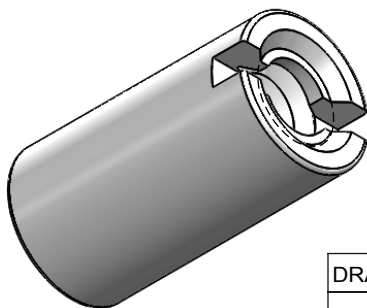
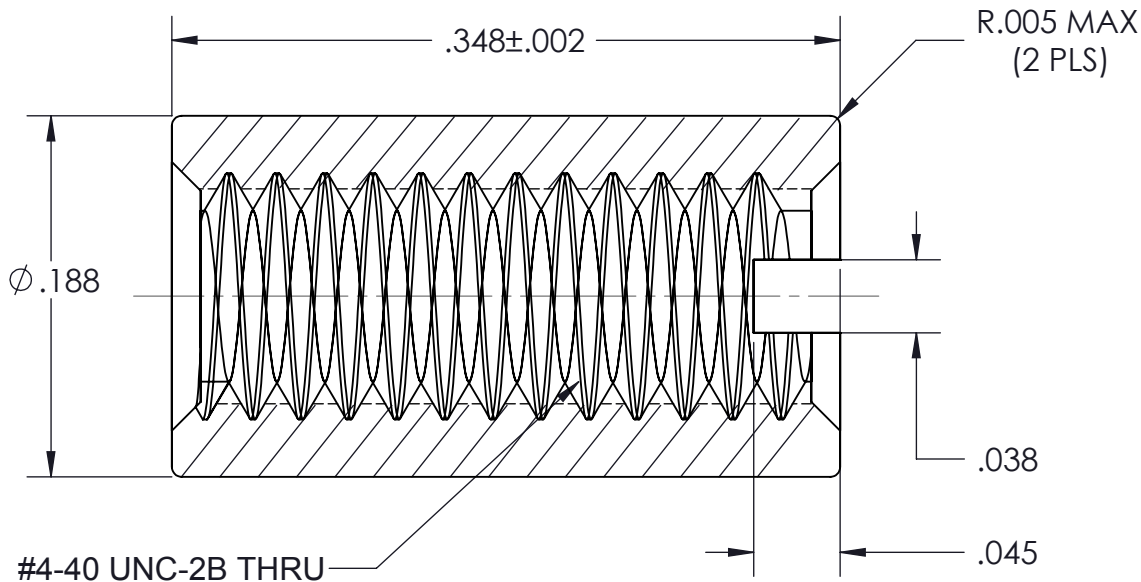


VICOR CONFIDENTIAL

THIS DOCUMENT AND THE DATA DISCLOSED HEREIN OR HEREWITH IS NOT TO BE REPRODUCED, USED OR DISCLOSED IN WHOLE OR IN PART TO ANYONE WITHOUT THE PERMISSION OF VICOR CORP.

REVISIONS

| REV | DESCRIPTION          | DATE     | APPROVED |
|-----|----------------------|----------|----------|
| 1   | RELEASE PER E9830074 | 11/13/98 | JMR      |
| 2   | RELEASE PER E100944  | 07/22/10 | DCS      |




NOTES:

1. MATERIAL: 300 SERIES STAINLESS STEEL PER AISI.
2. FINISH: CLEAR PASSIVATE PER QQ-P-35B, TYPE II.
3. REMOVE ALL BURRS AND SHARP EDGES.
4. KIT P/N 18153
5. BAG P/N 19129
6. DIMENSIONS ARE INCHES ONLY.

|            |          |
|------------|----------|
| DRAWN      | DATE     |
| LAP NGUYEN | 11/24/97 |

 SWD

|   |   |
|---|---|
| MATERIAL  | UNLESS OTHERWISE SPECIFIED DIMENSIONS ARE INCH [MM]<br>TOLERANCES ARE:<br>DECIMALS      ANGLES<br>X.XX [X.X] = ±0.01 [0.25]      ±1°<br>X.XXX [X.XX] = ±0.005 [0.127] |
| FINISH  |   |
| THIRD ANGLE PROJECTION  |   |
|  |   |
| DO NOT SCALE DRAWING  |   |

**STANDOFF, 0.348 LG  
FEMALE-FEMALE**

|              |              |              |          |
|--------------|--------------|--------------|----------|
| SIZE         | CAGE CODE    | DWG NO       | REV      |
| <b>A</b>     | <b>67131</b> | <b>18113</b> | <b>2</b> |
| SCALE 10 : 1 |              | SHEET 1 OF 1 |          |