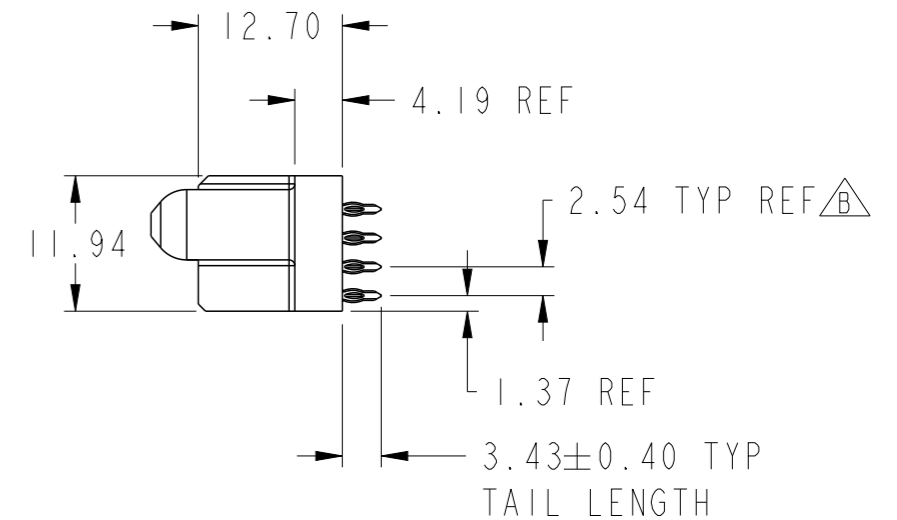
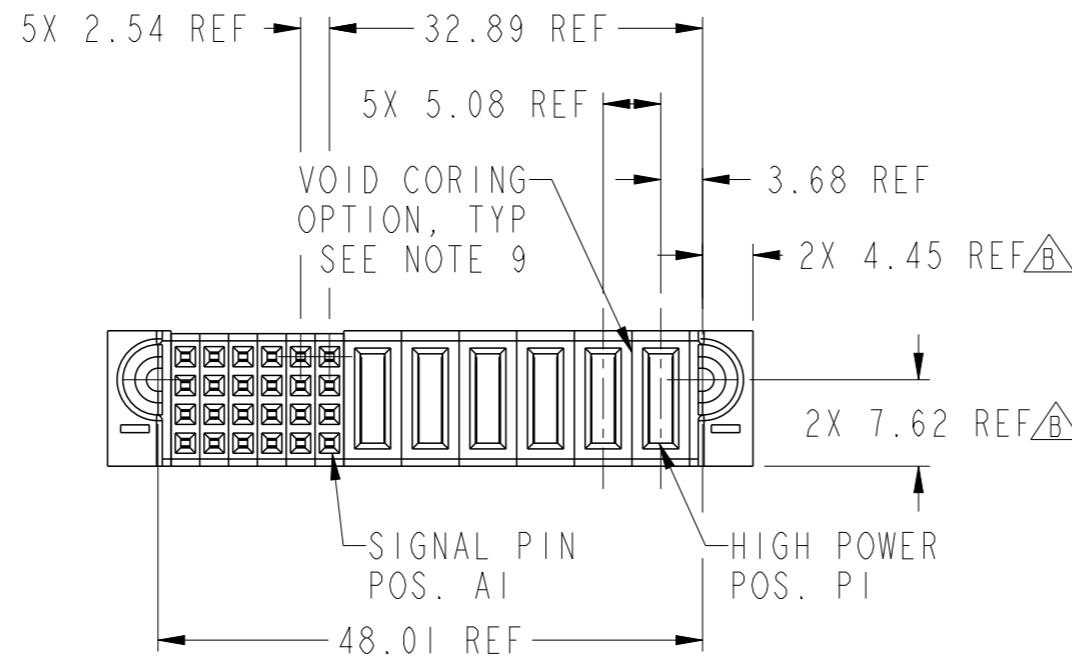
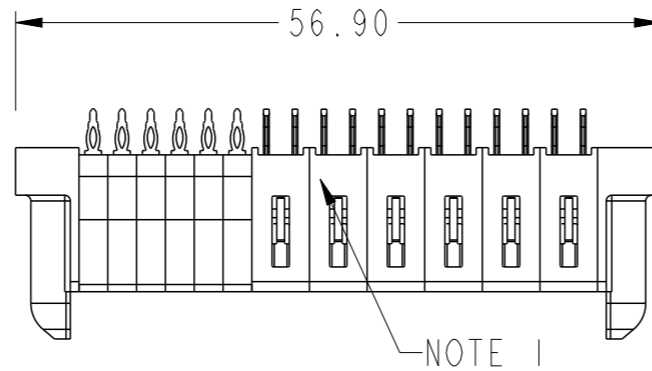
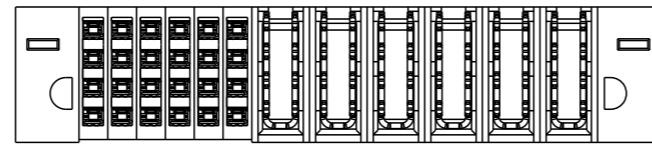


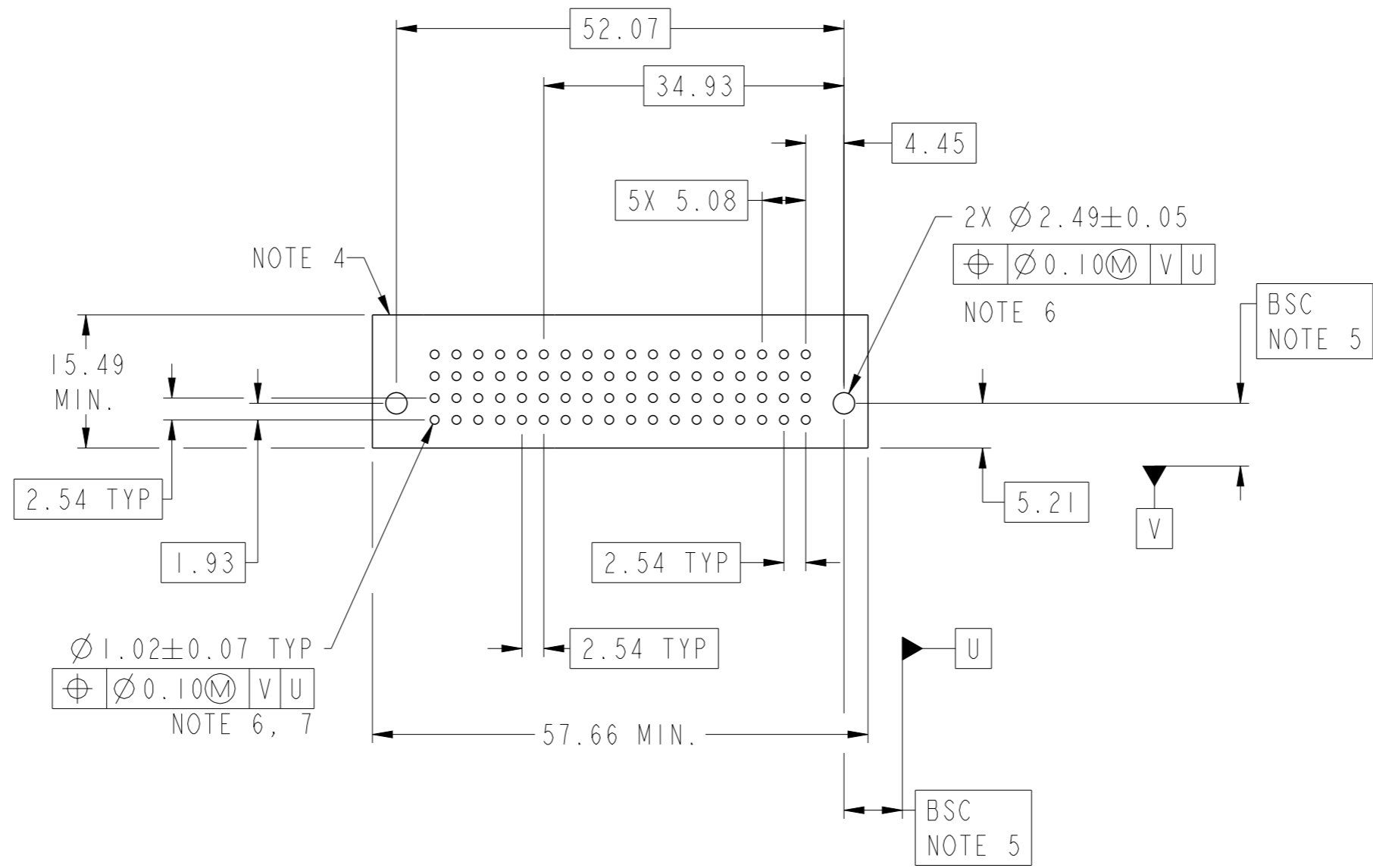
PRODUCT NUMBER SEE SHEET 2



spec ref		dr	Peng-Bing Fu	2012/06/15	projection	MM	size	A3	scale	3:2	
tolerance std		eng	Peng-Bing Fu	2012/11/13			ecn no		ELX-DG-013146-1		
ASME Y14.5		chr	Tian-Xu Huang	2012/11/13			rel level		Released		
TOLERANCES UNLESS OTHERWISE SPECIFIED		appr	Pei-Ming Zheng	2012/11/13	product family		PowerBlade+				
surface		linear	0.X	±0.50		title		6HDP + 24S		dwg no 10106139-6006001	rev B
			0.XX	±0.25		www.fci.com		cat. no.			
			0.XXX	±0.10		Product - Customer Drw		sheet 1 of 3			
ASME Y14.5		angular	0°	±2°	PDS: Rev :B		STATUS:Released		Printed: Nov 14, 2012		

PRODUCT NO.	ROWS	SIGNAL						HIGH POWER						E1	E2
		6	5	4	3	2	1	P6	P5	P4	P3	P2	P1		
10106139-6006001LF	D C B A	F	F	F	F	F	F	HG	HG	HG	HG	HG	HG		

CODE	DESCRIPTION
F	STD SIGNAL CONTACT
HG	STD HIGH POWER CONTACT (3.43)



Copyright FCI.

dr	Peng-Bing Fu	2012/06/15	projection	MM	size	A3	scale	3:2
eng	Peng-Bing Fu	2012/11/13			ecn no	ELX-DG-013146-1		
chr	Tian-Xu Huang	2012/11/13				product family	PowerBlade+	rel level
appr	Pei-Ming Zheng	2012/11/13			cat. no.			
www.fci.com			Product - Customer Drw			sheet 2 of 3		

1

2

3

4

A

B

C

D


A

B

C

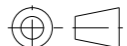
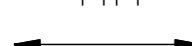
D

NOTES:

- 1) "FCI", PART NUMBER AND DATE CODE TO BE MARKED ON THIS SURFACE.
THE P/N CAN BE OMITTED IF THERE IS NOT ENOUGH SPACE ON THIS SURFACE.
- 2) MATERIALS:
-HOUSING - GLASS FILLED WITH HIGH TEMP THERMOPLASTIC, UL94V-0.
-SIGNAL CONTACT - COPPER ALLOY.
-POWER CONTACT - HIGH CONDUCTIVITY COPPER ALLOY.
- 3) PLATING SPECIFICATION REFER TO FCI 10116351
- 4) DENOTES CONNECTOR KEEP OUT ZONE.
- 5) DATUM AND BASIC DIMENIONS WERE ESTABLISHED BY CUSTOMER.
- 6) ALL HOLE DIAMETERS ARE FINISHED HOLE SIZES.
- 7) 1.15 ± 0.025 MM DRILLED HOLE PLATED WITH 0.00762MM MIN Sn
OVER 0.0254-0.0762MM Cu PLATING TO ACHIEVE A 1.02 ± 0.07 MM HOLE.
- 8) PRODUCT SPECIFICATION REFER TO FCI GS-12-658.
APPLICATION SPECIFICATION REFER TO FCI GS-20-141.
PRODUCT PACKAGED IN TRAYS, REFER TO FCI GS-14-1502.
- 9) THE VOID CORING IN BETWEEN POWER MODULES, SIGNAL
MODULES AND END MODULES ARE OPTIONAL AND THE SHAPE
MAY BE DIFFERENT FOR OPTIMIZE THE MOLDING PROCESS. THE
VOID CORING WILL NOT EFFECT TO PRODUCT FUNCTION.
- 10) A  SYMBOL WILL BE NEXT TO ANY DIMENSION, VIEW, OR NOTE
WHICH HAS BEEN MODIFIED WITH THE CURRENT DRAWING REVISION.



Copyright FCI.

dr	Peng-Bing Fu	2012/06/15	projection 	MM 	size	A3	scale	1:1	
eng	Peng-Bing Fu	2012/11/13			ecn no	ELX-DG-013146-1			
chr	Tian-Xu Huang	2012/11/13			product family	PowerBlade+	rel level	Released	
appr	Pei-Ming Zheng	2012/11/13			cat. no.	6HDP + 24S VT PF RECEPTACLE		rev	B
www.fci.com		cat. no.	Product - Customer Drw			sheet 3 of 3			

1

2

3

PDS: Rev :B

STATUS:Released

Printed: Nov 14, 2012